

# WAFER TYPE SINGLE PLATE CHECK VALVE

Evo Single plate wafer check valve is also known as a wafer check valve, single disc check valve, or swing check valve. A single-plate check valve is designed for return flow prevention in pipeline installation which is simple in construction, compact, light-weight, sturdy & rugged. Wafer check valve can operate effectively in both vertical & horizontal pipe lines. It has long life & trouble free operation. Single plate wafer check valve is also cost competent as it is easy to handle, pack and transport.

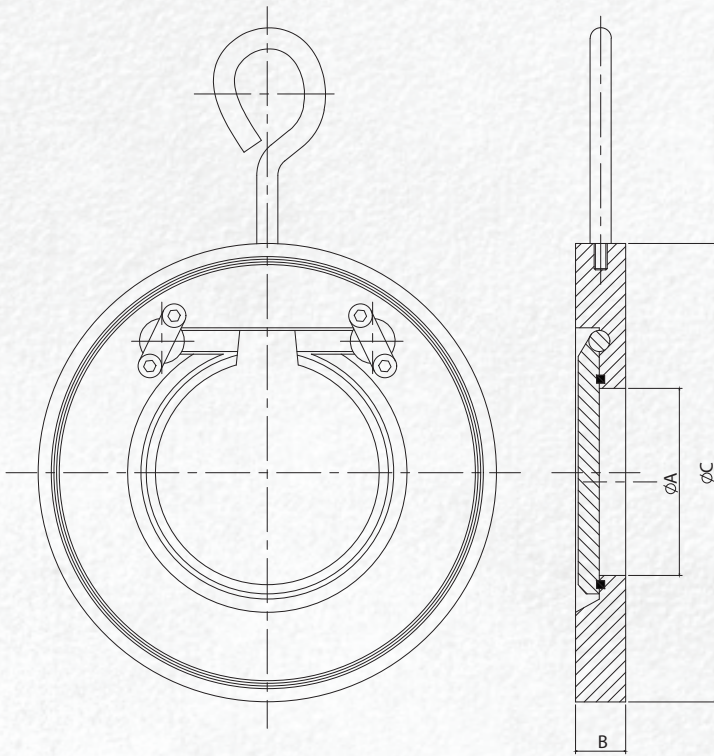


FEATURES	STANDARDS
DESIGN	API 6D / ASME B16.34
FACE TO FACE	API 6D / ASME B16.10
END CONNECTION	WAFER TO SUIT BETWEEN FLANGES ASME B16.5/ DIN / BS Table D & E
TESTING	API 598 / BS EN 12266-1 / API 6D

PRESSURE CLASS	SIZE (NB)
PN 10 / PN16 / CLASS 150	1.1/2"(40mm) - 24" (600mm)
PN 50 / CLASS 300	1.1/2"(40mm) - 20" (500mm)

## Features

- ✓ Single plate Check Valve design complies to API-6D & ASME B16.34.
- ✓ Very simple in construction, compact, light-weight, sturdy & rugged.
- ✓ Can operate effectively in both vertical and horizontal pipe lines.
- ✓ Soft seated valves come in two variants – O ring seated and PTFE / RPTFE seated.
- ✓ Wafer type end connections as standard – other types can be provided on request.
- ✓ Long life and trouble-free operation.
- ✓ Easier to handle, pack and transport as compared to other check valves



### Bill of Materials

Part	Description	Qty	Materials
01	BODY	01	WCB, LCC, WC6, WC9, CF8, CF8M, CF3, CF3M
02	DISC	01	WCB, LCC, WC6, WC9, CF8, CF8M, CF3, CF3M
03	SEAT	01	Metal-to-Metal, EPDM, VITON, BUNA-N, NEOPRENE, PTFE
04	HINGE PIN	01	SS304 / SS316
05	LIFTING HOOK	01	SS304 / SS316

\*Note: Other Materials On Request.

### INSTALLATION DIMENSIONS (in mm, unless specified)

Valve Size		A	B	C				
In INCH	In MM			PN10	PN16	BS10 D	BS10 E	ANSI #150
1"	25	14	19	72	72	69	69	64
1½"	40	22	19	93	93	86	86	86
2"	50	30	19	108	108	97	97	104
2½"	65	40	19	128	128	110	110	123
3"	80	52	19	143	143	129	129	136
4"	100	71	19	163	163	161	161	174
5"	125	95	19	193	193	193	193	196
6"	150	114	19	219	219	218	215	221
8"	200	157	28.5	274	274	274	272	278
10"	250	195	28.5	329	329	335	335	339
12"	300	230	38	379	385	385	383	409
14"	350	270	44.5	438	444	446	446	449
16"	400	310	51	489	496	496	496	512
18"	450	360	60.5	538	555	559	559	545
20"	500	406	63.5	593	696	616	616	605
24"	600	490	70	695	799	727	724	714

### CONTACT US

#### EVOLUTION ENGETECH PVT LTD

+91-88118 86868, +91-99090 05566

info@evovalves.com, sales@evovalves.com www.evovalves.com

Plot No. 10, Prince Industrial Hub, Kuha, Daskroi, Ahmedabad - 382433, Gujarat (India)